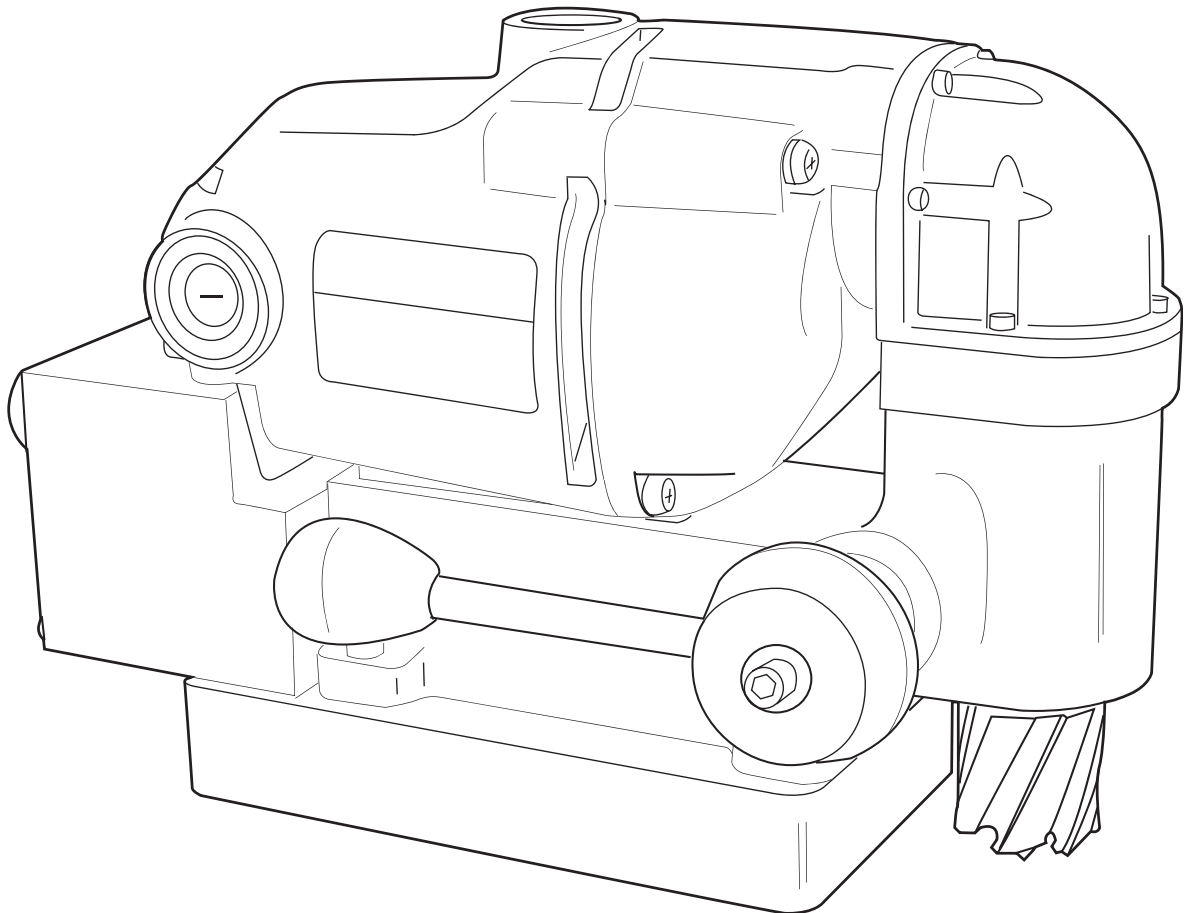




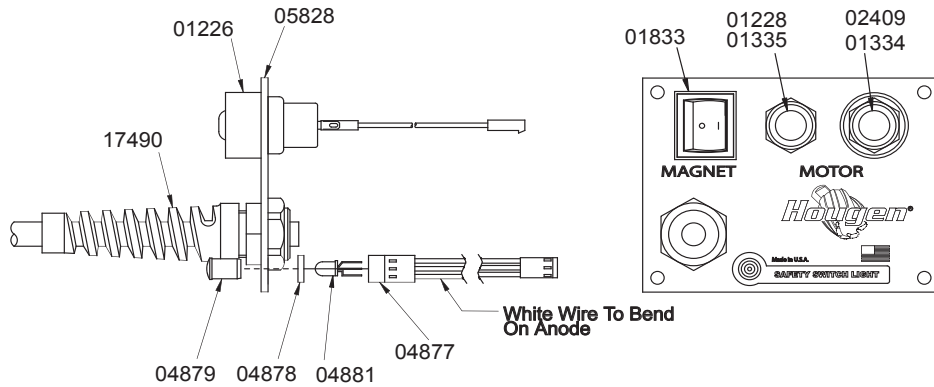
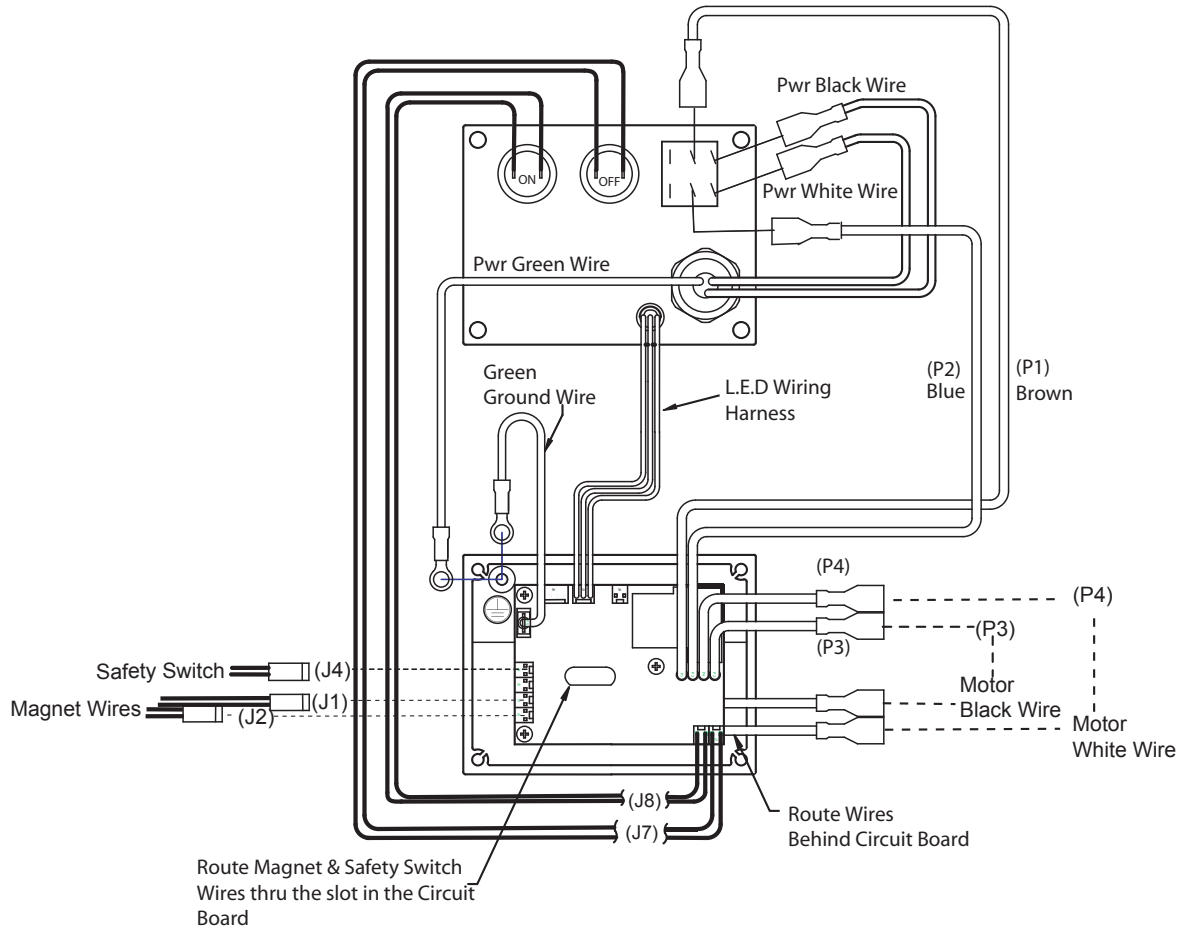
MODEL HMD150
PORTABLE MAGNETIC DRILLS
OPERATOR'S MANUAL

COVERS DRILL PART NUMBERS 0150101



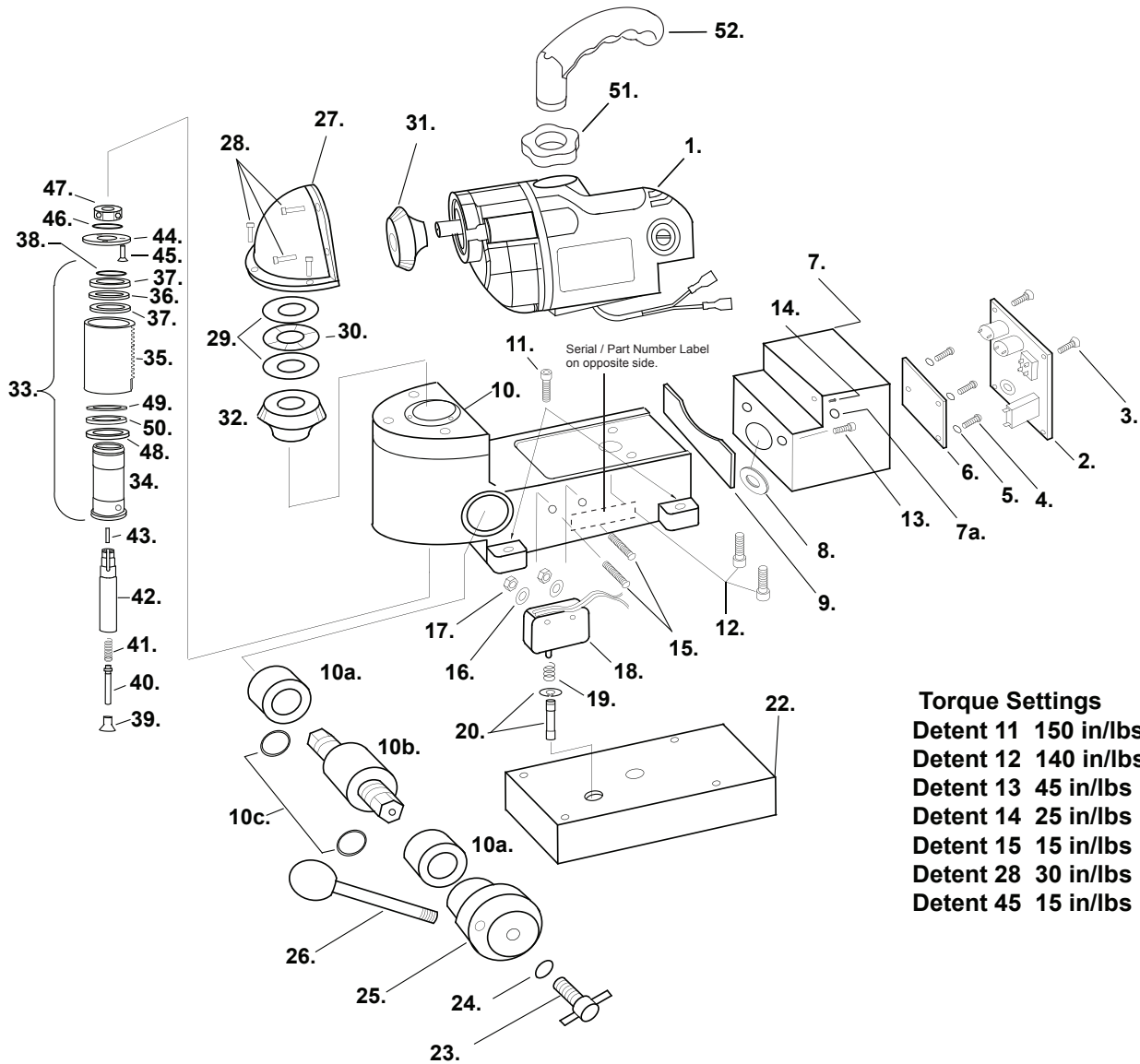
FOR USE WITH ROTALOC PLUS[™] CUTTERS

CONTROL PANEL /HOOKUP DIAGRAM



| PART # | DESCRIPTION | QTY | PART # | DESCRIPTION | QTY |
|--------|--------------------|-----|--------|-------------------------|-----|
| 01226 | Switch Guard | 1 | 04879 | Clear Lens | 1 |
| 01228 | Red Switch Cover | 1 | 04881 | Bulb | 1 |
| 01334 | Motor ON Switch | 1 | 05208 | Green Ground Wire Assy. | 1 |
| 01335 | Motor OFF Switch | 1 | 05826 | Circuit Board | 1 |
| 01833 | Rocker Switch | 1 | 05828 | Faceplate | 1 |
| 02409 | Green Switch Cover | 1 | 05911 | Faceplate Assy | 1 |
| 04877 | Wire Harness | 1 | 17490 | Power Cord Assy | 1 |
| 04878 | Spacer | 1 | | | |

HMD150 DRILL PARTS DIAGRAM



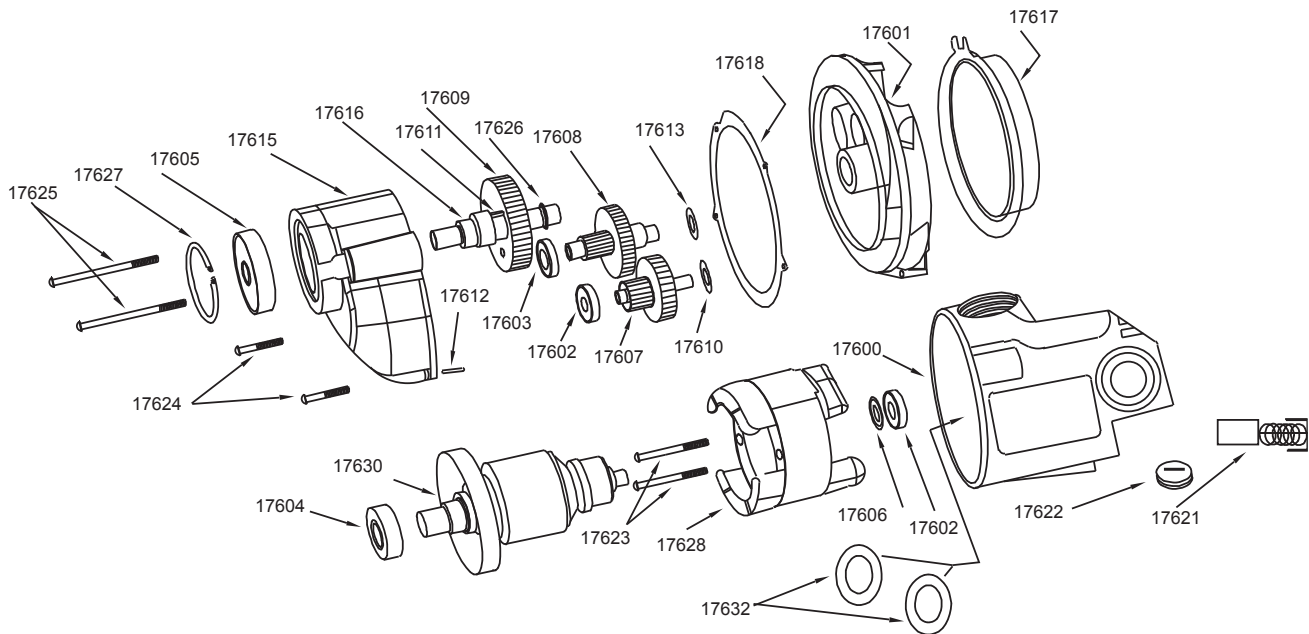
Torque Settings

| | |
|-----------|------------|
| Detent 11 | 150 in/lbs |
| Detent 12 | 140 in/lbs |
| Detent 13 | 45 in/lbs |
| Detent 14 | 25 in/lbs |
| Detent 15 | 15 in/lbs |
| Detent 28 | 30 in/lbs |
| Detent 45 | 15 in/lbs |

HMD150 PARTS LIST

| Item # | Part # | Description | Qty | Item# | Part # | Description | Qty |
|--------|--------|---------------------|-----|-------|--------|-----------------------|-----|
| 1 | 07124 | Motor Assy | 1 | 26 | 17283 | Feed Handle Assy | 1 |
| 2 | 05911 | Faceplate Assy. | 1 | 27 | 17510 | Gear Cap Assy | 1 |
| 3 | 24081 | Screw Self Tapping | 4 | 28 | 17002 | SCR SHC #6-32 | 7 |
| 4 | 02547 | Phillips Screw | 3 | 29 | 17517 | Thrust Washer | 2 |
| 5 | 10714 | Washer Lock #4 | 3 | 30 | 17516 | Thrust Bearing | 1 |
| 6 | 05826 | Circuit Board | 1 | 31 | 17502 | Gear Left Hand | 1 |
| 7 | 17691 | Electrical Box | 1 | 32 | 17278 | Gear Right Hand | 1 |
| 7a | 17557 | Ground Label | 1 | 33 | 17646 | Quill & Arbor Assy | 1 |
| 8 | 17274 | Grommet | 1 | 34 | 17649 | Arbor Assy | 1 |
| 9 | 17293 | Motor Seal | 1 | 35 | 17647 | Quill Assy | 1 |
| 10 | 17279 | Housing Assy | 1 | 36 | 17546 | Washer Thrust Bronze | 1 |
| 10a | 17495 | Bronze Bearing | 2 | 37 | 17547 | Washer Thrust Steel | 2 |
| 10b | 17298 | Feed Gear | 1 | 38 | 04720 | Retaing Ring Lt Hand | 1 |
| 10c | 40546 | O Ring | 2 | 39 | 17493 | SCR Flat Head Mod. | 1 |
| 11 | 10553 | SCR SHC 1/4-20 | 4 | 40 | 17494 | Plunger | 1 |
| 12 | 75096 | SCR SHC M6 x 20mm | 2 | 41 | 17492 | Comp. Spring | 1 |
| 13 | 75094 | SCR SHC M5 x 12mm | 2 | 42 | 17280 | Splined Shaft | 1 |
| 14 | 04439 | SCR BHS #10-32 | 1 | 43 | 17277 | Key 1/8" Square | 1 |
| 15 | 17476 | SCR BHC Safety Torx | 2 | 44 | 17289 | Washer Brg. Ret | 1 |
| 16 | 90052 | Washer Lock #6 | 2 | 45 | 04718 | SCR-Pan Phillips | 3 |
| 17 | 40374 | Nut Hex #6-32 | 2 | 46 | 17475 | Retaining Ring | 1 |
| 18 | 04885 | Safety Switch | 1 | 47 | 17270 | Ball Bearing | 1 |
| 19 | 17271 | Taper Spring | 1 | 48 | 17643 | Shield, Thrust Washer | 1 |
| 20 | 17285 | Plunger Assy | 1 | 49 | 17644 | Thrust Washer | 1 |
| 22 | 17651 | Magnet | 1 | 50 | 17645 | Thrust Needle Bearing | 1 |
| 23 | 17291 | SCR SHC M6-1 | 1 | 51 | 05920 | Locking Nut 1"-14 | 1 |
| 24 | 90027 | 1/4" Flat Washer | 1 | 52 | 05921 | Handle | 1 |
| 25 | 17282 | Feed Hub Assy | 1 | | | | |

Motor Diagram and Parts List



| Part # | Description | Qty | Part # | Description | Qty |
|--------|----------------------|-----|--------|----------------------|-----|
| 04502 | Brush Cover | 1 | 17612 | Dowel Pin | 1 |
| 10538 | Washer #8 | 1 | 17613 | Flat Washer | 1 |
| 11053 | Screw BHS #8-32 | 1 | 17615 | Gear Housing | 1 |
| 17276 | Motor Assy | 1 | 17616 | Spindle | 1 |
| 17294 | Label, Motor Specs | 1 | 17617 | Fan Guide | 1 |
| 07025 | Label, Motor Safety | 1 | 17618 | Gasket | 1 |
| 17600 | Field Case | 1 | 17630 | Armature | 1 |
| 17601 | Gear Housing | 1 | 17628 | Field | 1 |
| 17602 | Ball Bearing | 2 | 17621 | Carbon Brush | 2 |
| 17603 | Ball Bearing | 1 | 17622 | Brush Cap | 2 |
| 17604 | Ball Bearing | 1 | 17623 | Pan Head Screw | 2 |
| 17605 | Ball Bearing | 1 | 17624 | Pan Head Screw Short | 2 |
| 17606 | Dust Seal | 1 | 17625 | Pan Head Screw Long | 2 |
| 17607 | 1st Inter. Gear Assy | 1 | 17626 | Retaining Ring | 1 |
| 17608 | 2nd Inter. Gear Assy | 1 | 17627 | Retaining Ring | 1 |
| 17609 | Spur Gear | 1 | 17632 | Paper Washer | 2 |
| 17610 | Flat Washer | 1 | 75289 | Pan Head Screw | 2 |
| 17611 | Key | 1 | | | |

Rotaloc™ Series of Cutters for the HMD 150

The ROTALOC PLUS™ cutters are made specifically for the HMD150. They are equipped with 5/8" tool-less Bayonet-style twist and lock shank, available either in the 3/4" depth of cut, stack cut cutters or, the 1" depth of cut standard cutter. They are made of premium high speed steel and available in diameters from 1/2" to 1-3/8".

3/4" D.O.C Rotaloc™ Cutters Stack Cut Geometry

| PART# | DESCRIPTION |
|-------|-------------|
| 17116 | 1/2" |
| 17118 | 9/16" |
| 17120 | 5/8" |
| 17122 | 11/16" |
| 17124 | 3/4" |
| 17126 | 13/16" |
| 17128 | 7/8" |
| 17130 | 15/16" |
| 17132 | 1" |
| 17134 | 1-1/16" |
| 17100 | PILOT |

Rotaloc™ Cutter Kits 3/4" D.O.C

| PART# | DESCRIPTION |
|-------|---|
| 17001 | Kit contains (10) Cutters, 3/4" D.O.C. - 1/2", 9/16", 5/8", 11/16", 3/4", 13/16", 7/8", 15/16", 1", 1-1/16" dia. plus (2) pilots in a sturdy plastic case |
| 17770 | Kit contains (3) Cutters, 3/4" D.O.C. - 1/2", 5/8", 3/4" dia. plus (3) Pilots in a plastic carrying case |
| 17701 | Kit contains (3) Cutters, 3/4" D.O.C. - 9/16", 11/16", 13/16" Cutters plus (3) Pilots in a plastic Carrying Case |

1" D.O.C Rotaloc Plus™ Cutters Standard Geometry Cutters

| PART# | DESCRIPTION |
|-------|-------------|
| 17216 | 1/2" |
| 17218 | 9/16" |
| 17220 | 5/8" |
| 17222 | 11/16" |
| 17224 | 3/4" |
| 17226 | 13/16" |
| 17228 | 7/8" |
| 17230 | 15/16" |
| 17232 | 1" |
| 17234 | 1-1/16" |
| 17236 | 1-1/8" |
| 17238 | 1-3/16" |
| 17240 | 1-1/4" |
| 17242 | 1-5/16" |
| 17244 | 1-3/8" |
| 17470 | PILOT |

Rotaloc Plus™ Cutter Kits 1" D.O.C.

| PART# | DESCRIPTION |
|-------|---|
| 17800 | Kit contains (3) Cutters, 1" D.O.C. - 1/2", 5/8", 3/4" dia. plus (2) pilots in a sturdy plastic case |
| 17801 | Kit contains (3) Cutters, 1" D.O.C. - 9/16", 11/16", 13/16" dia. plus (3) Pilots in a plastic carrying case |